

**COLORBOND® STEEL
GUTTERING**

GUTTERS, FASCIA AND DOWNPIPES

Colorbond®

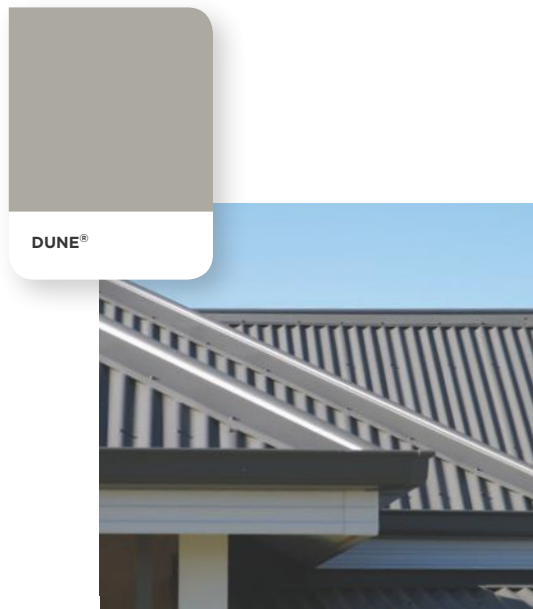
Gutters



GUTTERS, FASCIA AND DOWNPIPES go hand in hand with a roof. They have an important job to do. Not only do they add character to your home, they can also help protect your home from storm water damage. Guttering, fascia and downpipes made from genuine COLORBOND® steel have been developed by rigorous testing in the Australian climate.

We understand you are building for your family's future. As well as being beautiful to look at, you can be confident knowing COLORBOND® steel is versatile, lightweight, durable and capable of meeting the changing needs of your lifestyle. Whether you live inland or close to the coast COLORBOND® steel can meet the needs that your home demands¹.

Perfect MATCH



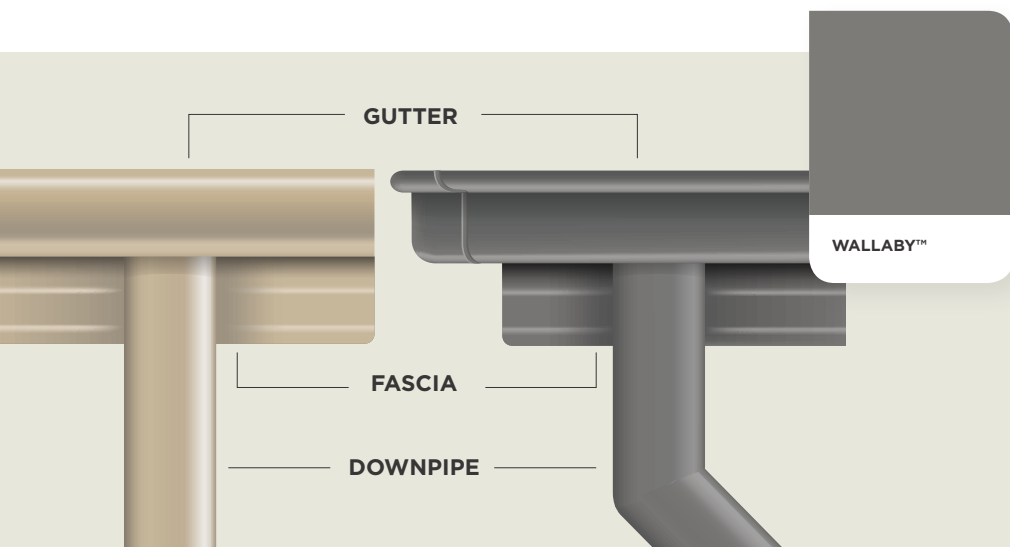
THE COLORBOND® STEEL RANGE OF DESIGNER COLOURS offers a classic and contemporary palette to enhance the beauty of every home style. Where better to look for inspiration than in Australia's own magnificent backyard. From our mountains to the outback, from creek beds to beaches, COLORBOND® steel captures the light and energy that makes Australia's colours so unique. You'll find 22 colour choices to create the ideal look and feel for your home.



Roof, gutter & downpipe colour: Dune®
Fascia colour: Surfmist®

STREET APPEAL

Much of your 'street appeal' is based on your home's colour scheme. That's why it's so important to co-ordinate the colours of your roof, gutters, fascia and downpipes with your render, bricks, window frames, garage doors and entrance. The COLORBOND® steel palette of 22 colours provides inspiration to create the perfect colour scheme for your entire home.



YOUR CHOICE OF GUTTERING PROFILES

Guttering made from COLORBOND® steel comes in a wide range of styles, sizes and profiles (shapes). Downpipes are available in round or rectangular shapes. Whether you're building or renovating, for information on your particular needs, speak with an installer or supplier.

For a list of installers and suppliers visit colorbond.com/suppliers and click on the gutters tag.

Colours

All 22 designer colours are trade marked names. To ensure you get what you pay for, specify the COLORBOND® steel trade marked colour names of your choice.

CLASSIC colour range²



CLASSIC CREAM™



PAPERBARK®



PALE EUCALYPT®



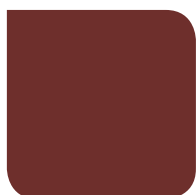
WOODLAND GREY®



DEEP OCEAN®



COTTAGE GREEN®



MANOR RED®



NIGHT SKY®

CONTEMPORARY colour range²



SURFMIST®



EVENING HAZE®



SHALE GREY™



DUNE®



COVE™



WINDSPRAY®



GULLY™



MANGROVE™



WALLABY®



JASPER®



BASALT®



IRONSTONE®



TERRAIN®



MONUMENT®

LOOK FOR THE BRAND

Not all painted steel is genuine COLORBOND® steel. When you buy gutters, fascia and downpipes made from COLORBOND® steel be sure to look for the printed brandmark.

TOUGH AND BEAUTIFUL

Genuine COLORBOND® steel is made using an advanced 5-step process.

1. Structural steel base compliant with Australian Standard AS1397
2. Zinc aluminium alloy coating compliant with Australian Standard AS1397
3. Conversion coating
4. Corrosion inhibitive primer
5. High performance oven cured exterior paint finish compliant with Australian Standard AS2728.

A CORSTRIP® film offers protection during installation.



COLORBOND® STEEL GUTTERING

Colorbond®

GUTTERS, FASCIA AND DOWNPIPES

LOOKS BETTER FOR LONGER

COLORBOND® steel, with 22 designer colours and advanced paint technology, provides a durable, baked on paint finish that resists peeling, chipping and cracking³.

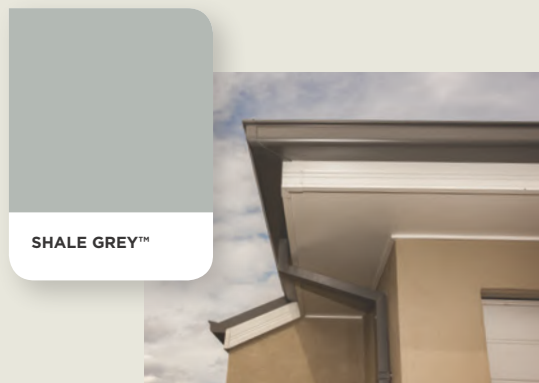
Now with Activate™ technology, this industry leading coating technology enhances the protective coating of the substrate of COLORBOND® steel.



Roof, gutter, fascia & downpipe colour: Surfist®

TRIED AND TESTED

Tested and developed for almost 50 years in some of Australia's harshest conditions, COLORBOND® steel delivers proven durability performance.



SHALE GREY™

PEACE OF MIND

Relax. Gutters, fascia and downpipes made from genuine COLORBOND® steel meet all the relevant Australian Standards. Standard COLORBOND® steel is also backed by a warranty from BlueScope of up to 20 years. For full criteria and to learn more about warranties visit bluescopesteel.com.au/warranties.

FOR INSPIRATION AND RESOURCES TO CREATE THE IDEAL COLOUR SCHEME FOR YOUR HOME, VISIT
COLORBOND.COM/GUTTERS OR CALL 1800 263 291

TO APPLY FOR OR ACTIVATE YOUR WARRANTY³ SIMPLY VISIT
BLUESCOPESTEEL.COM.AU/WARRANTIES

YOUR GUTTERING PROVIDER



LEGEND

① Also available in COLORBOND® Ultra steel for coastal and industrial environments. All other colours are available in COLORBOND® Ultra steel on request, please speak with your supplier.

② Also available in COLORBOND® Stainless steel for severe coastal and industrial environments. Please speak to your supplier for more information regarding availability.

1. COLORBOND® Ultra steel is available for coastal and industrial environments, COLORBOND® Stainless steel is available for severe coastal and industrial environments 2. The COLORBOND® steel colour swatches and images shown have been reproduced to represent actual product colours as accurately as possible. However, we recommend checking your chosen colour against an actual sample of the product before purchasing, as varying light conditions and limitations of the printing process may affect colour tones. To determine the most suitable material for your project, please contact your supplier or see colorbond.com/inspire. 3. Warranty subject to exclusions, application and eligibility criteria. For full terms and conditions and to determine the eligibility of your building for the warranty visit bluescopesteel.com.au/warranties or call BlueScope on 1800 702 764. COLORBOND®, Thermatech®, Corstrip®, BlueScope, the BlueScope brandmark and ® colour names are registered trade marks of BlueScope Steel Limited. Activate™ and ™ colour names are trade marks of BlueScope Steel Limited. © 2013 BlueScope Steel Limited ABN 16 000 011 058. All rights reserved.

